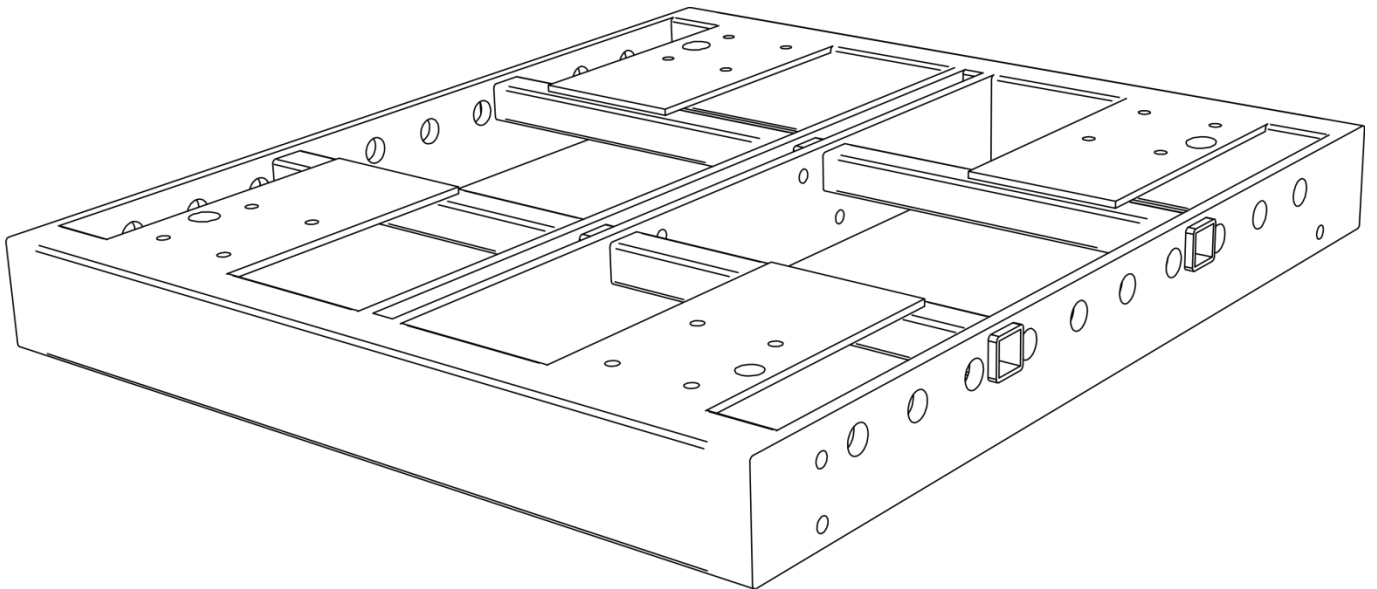


# Odin

AUDIOSYSTEMS BY DAP

MANUAL



ENGLISH

## Odin FB-01 Flybar

## V1

Ordercode: D3910

## Table of contents

---

<b>Warning</b> .....	2
Safety Instructions .....	2
Operating Determinations .....	3
Rigging .....	3
Return Procedure .....	3
Claims.....	3
<b>Description of the device</b> .....	4
Overview .....	4
<b>Installation</b> .....	5
Center of Gravity .....	5
<b>Set Up and Operation</b> .....	6
Truss Mounting Example.....	6
<b>Maintenance</b> .....	7
<b>Product Specifications</b> .....	7
<b>Notes</b> .....	8

## Warning



**For your own safety, please read this user manual carefully  
before your initial start-up!**

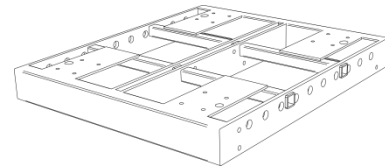


### Unpacking Instructions

Immediately upon receiving this product, carefully unpack the carton and check the contents to ensure that all parts are present, and have been received in good condition. Notify the dealer immediately and retain packing material for inspection if any parts appear damaged from shipping or the carton itself shows signs of mishandling. Save the carton and all packing materials. In the event that a fixture must be returned to the factory, it is important that the fixture be returned in the original factory box and packing.

### Your shipment includes:

- Odin FB-01 Flybar
- User manual



### Safety Instructions

Every person involved with the installation, operation and maintenance of this system has to:

- be qualified
- follow the instructions of this manual

Before use, please make sure that there is no damage caused by transportation. Should there be any, consult your dealer and do not use the device. To maintain perfect condition and to ensure a safe operation, it is absolutely necessary for the user to follow the safety instructions and warning notes written in this manual. Please consider that damages caused by manual modifications to the system are not subject to warranty. This system contains no user-serviceable parts. Refer servicing to qualified technicians only.

### IMPORTANT!

The manufacturer will not accept liability for any resulting damages caused by the non-observance of this manual or any unauthorized modification to the system.

- Never remove warning or informative labels from the unit.
- Never use or continue to work with a damaged or defective fly bar.
- Never use the fly bar for loads that exceed the maximum provided in this manual (SWL: 350 kg).
- Do not install the system over areas of public access.
- Carefully inspect the fly bar before use.
- Do not shake the device. Avoid brute force when installing or operating the unit.
- Always pay attention to local regulations, with respect to occupational health, safety and general rules for safe working.
- Always wear protective helmets and footwear.
- Always check the national standards and regulations of the country where the fly bar is used.
- All fly bars should be visually inspected before use. In the event of any damage, the fly bar should be taken out of service and returned to an approved DAP Audio dealer for inspection.
- Avoid contact with water or other liquids.
- Only operate the device after having familiarized with its functions.
- Only move a load, after having made sure that the load is safely and correctly attached and that there are no persons within the immediate vicinity of the hoist and/or the load.
- Never attach other loads to the array system.
- Never climb the system during or after the installation.
- Never expose the system to extra loads (for example wind or snow).
- Suspending loads should be done with extreme caution.
- Avoid flames and do not put close to flammable liquids or gases.
- If device was dropped or struck, discontinue the use of the device. Have a qualified engineer inspect for safety before operating.

- If your DAP Audio device fails to work properly, discontinue the use immediately. Pack the unit securely (preferably in the original packing material), and return it to your DAP Audio dealer for service.
- For adult use only. The device must be installed beyond the reach of children.
- For semi-permanent installation applications, check integrity of welds, joints and fly bar's tightness weekly.
- The user is responsible for correct positioning and operating of the fly bar. The manufacturer will not accept liability for damages caused by the misuse or incorrect installation of this device.
- Applications that are not described in this manual, are not allowed.
- Installation, repairs and servicing must be carried out by a qualified technician.
- WARRANTY: Till one year after date of purchase.

### Operating Determinations

- If this device is operated in any other way than the one described in this manual, the product may suffer damages and the warranty becomes void.
- Any other operation may lead to serious damage and/or severe injuries.

*You endanger your own safety and the safety of others!*

### Rigging

*Please follow the European and national guidelines concerning rigging, trussing and all other safety issues.*

*Do not attempt the installation yourself!*

*Always have the inspections carried out by an authorized dealer!*



### Return Procedure



Returned merchandise must be sent prepaid and in the original packing, call tags will not be issued. Package must be clearly labeled with a Return Authorization Number (RMA number). Products returned without an RMA number will be refused. Highlite will not accept the returned goods or any responsibility. Call Highlite 0031-455667723 or mail [aftersales@highlite.nl](mailto:aftersales@highlite.nl) and request an RMA prior to shipping the fixture. Be prepared to provide the model number, serial number and a brief description of the cause for the return. Be sure to properly pack fixture, any shipping damage resulting from inadequate packaging is the customer's responsibility. Highlite reserves the right to use its own discretion to repair or replace product(s). As a suggestion, proper UPS packing or double-boxing is always a safe method to use.

**Note: If you are given an RMA number, please include the following information on a piece of paper inside the box:**

- 01) Your name
- 02) Your address
- 03) Your phone number
- 04) A brief description of the symptoms

### Claims

The client has the obligation to check the delivered goods immediately upon delivery for any shortcomings and/or visible defects, or perform this check after our announcement that the goods are at their disposal. Damage incurred in shipping is the responsibility of the shipper; therefore the damage must be reported to the carrier upon receipt of merchandise.

It is the customer's responsibility to notify and submit claims with the shipper in the event that a fixture is damaged due to shipping. Transportation damage has to be reported to us within one day after receipt of the delivery.

Any return shipment has to be made post-paid at all times. Return shipments must be accompanied with a letter defining the reason for return shipment. Non-prepaid return shipments will be refused, unless otherwise agreed in writing.

Complaints against us must be made known in writing or by fax within 10 working days after receipt of the invoice. After this period complaints will not be handled anymore.

Complaints will only then be considered if the client has so far complied with all parts of the agreement, regardless of the agreement of which the obligation is resulting.

## Description of the device

### Features

The Odin FB-01 Flybar can be used as a trolley (if fitted with wheels) or as a ground stack frame (if fitted with adjustable feet).

- SWL: 350 kg
- Directive: BGV C1:1998
- Material: Steel
- Dimensions: 740 x 650 x 80 mm (LxWxH)
- Weight: 34 kg

### Optional accessories:

**D3900** – ODIN T-8A Line Array Satellite

**D3901** – ODIN S-18A Line Array Sub

**D8001** – Dap Audio Blue Wheel 100 mm (without brake)

**D8002** – Dap Audio Blue Wheel 100 mm (with brake)

**D3914** – ODIN AF-01 Adjustable Foot

**70400** – Showtec Sling 1 Ton WLL. Black (1 m)

**70428** – Showtec Chain Shackle 1 Ton

### Overview

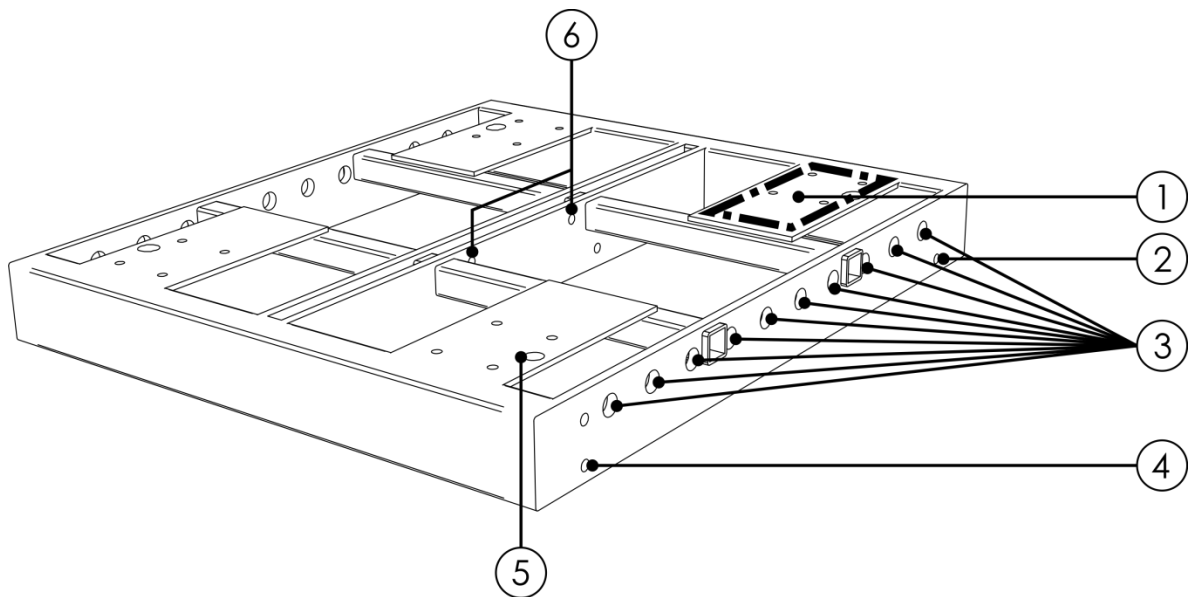


Fig. 01

- 1 Wheel mounting holes (M8)**  
Use these mounting holes to mount the optional wheels (**D8001/D8002**). This way you can use the fly bar as a trolley.
- 2 Odin speaker mounting holes**  
Use these mounting holes to mount your S-18A or T-8A Odin speakers, by means of the dedicated rigging pins.
- 3 Chain shackle mounting holes (20 mm)**  
Use these mounting holes to install chain shackles.
- 4 Odin speaker mounting holes**  
Use these mounting holes to mount your S-18A or T-8A Odin speakers, by means of the dedicated rigging pins.
- 5 Adjustable foot mounting holes (M18)**  
Use these mounting holes to mount the optional feet (**D3914**). This way you can use the fly bar as a ground stack.
- 6 T-8A mounting holes**  
Use these mounting holes to mount your T-8A Odin speaker.

## Installation

Remove all packing materials from the Odin FB-01 Flybar. Check if all foam and plastic padding is removed.

**Damages caused by non-observance are not subject to warranty.**



### CAUTION



The maximum load capacity (SWL) of the Odin FB-01 Flybar is 350 kg.  
Do not exceed this rating.

Mount the Odin speakers to the fly bar, by means of the dedicated rigging pins and the mounting holes indicated by the arrows (fig. 02).

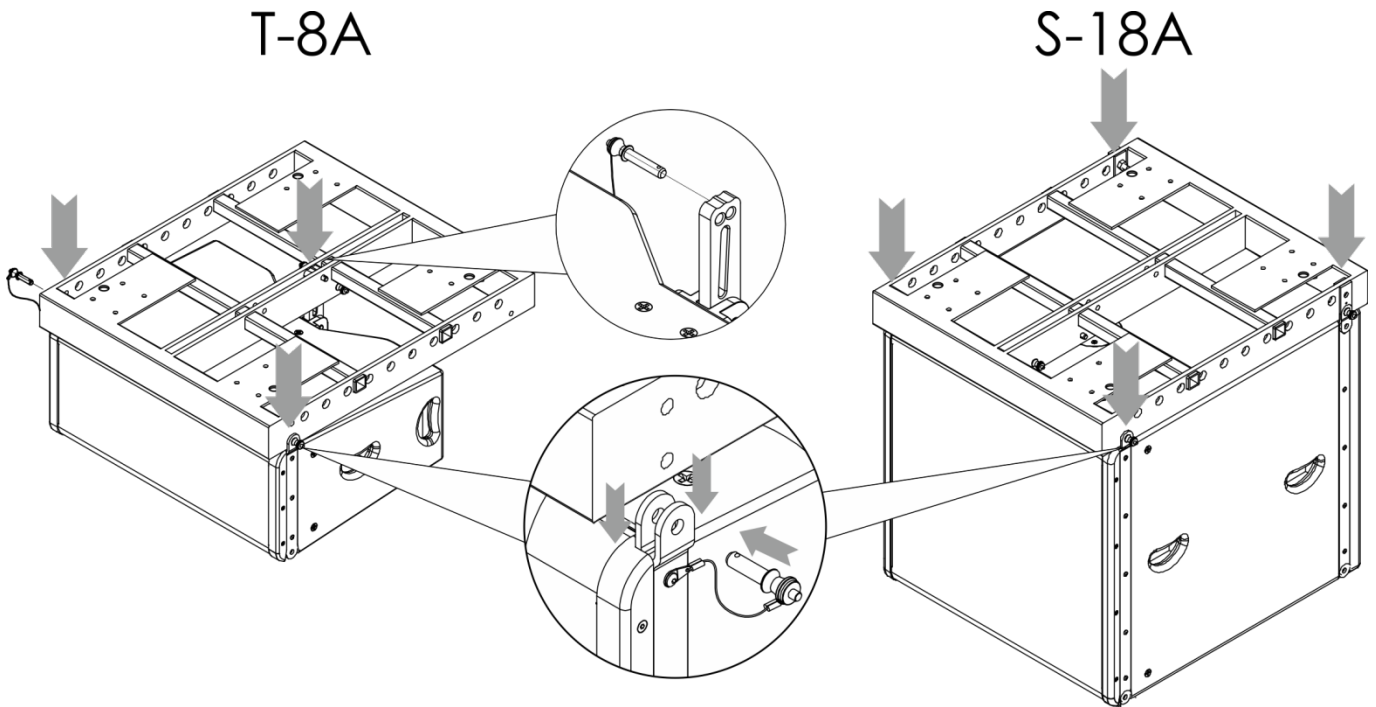


Fig. 02

## Center of Gravity

While installing the fly bar, you should always bear in mind the center of gravity of your current Odin setup. The position of the chain shackles with the dedicated slings is indicated by the arrows (see fig. 03).

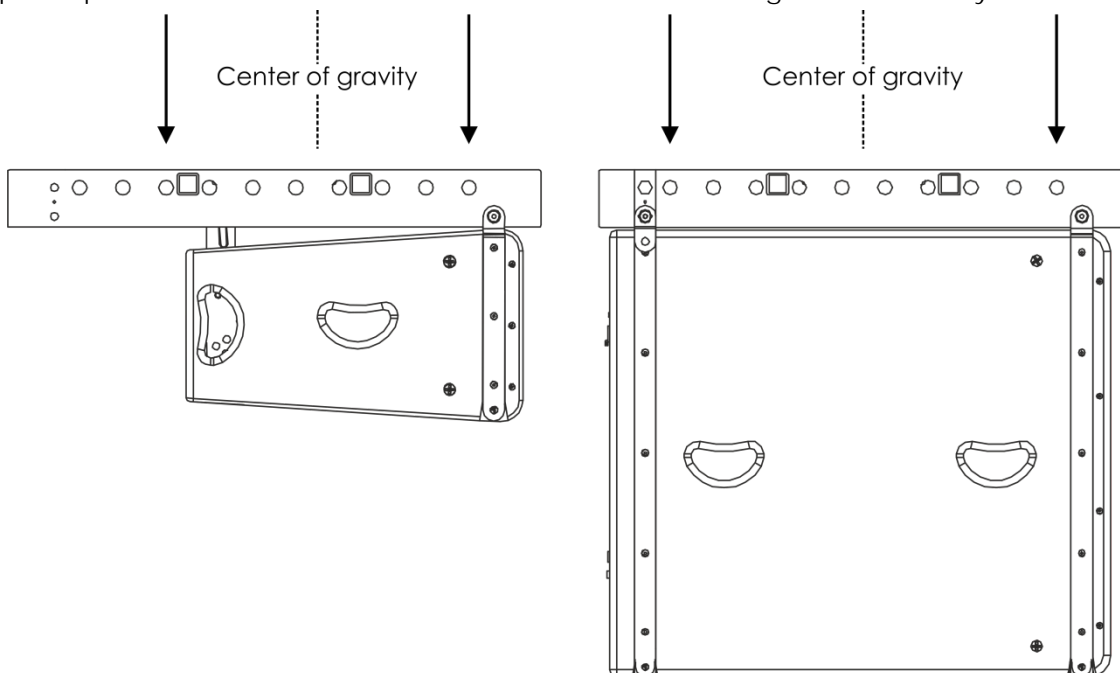


Fig. 03

## Set Up and Operation

Follow the directions below, as they pertain to your preferred operation mode.

### Truss Mounting Example

- 01) Assemble your Odin line array according to your preference.
- 02) Mount the fly bar to your Odin line array, by means of the dedicated rigging pins.
- 03) Mount 4 Showtec Chain Shackles (70428/70429/70430/70431/70432/70470/70471/70472) to the fly bar.
- 04) Attach 4 Showtec slings (70400/70401/70402/70403/70409/70410/70411) to the chain shackles and hang your Odin line array from a truss.

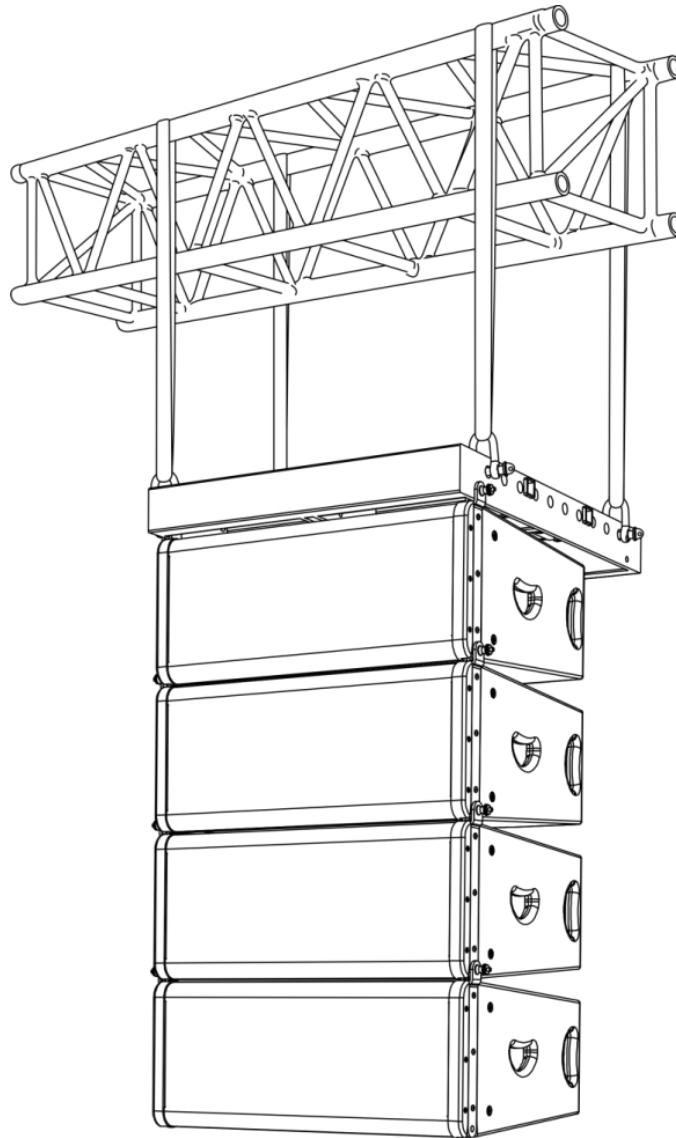


Fig. 04



**CAUTION**

The maximum load capacity (SWL) of the Odin FB-01 Flybar is 350 kg.  
Do not exceed this rating.



**CAUTION**

Please follow the European and national guidelines concerning rigging, trussing and all other safety issues.



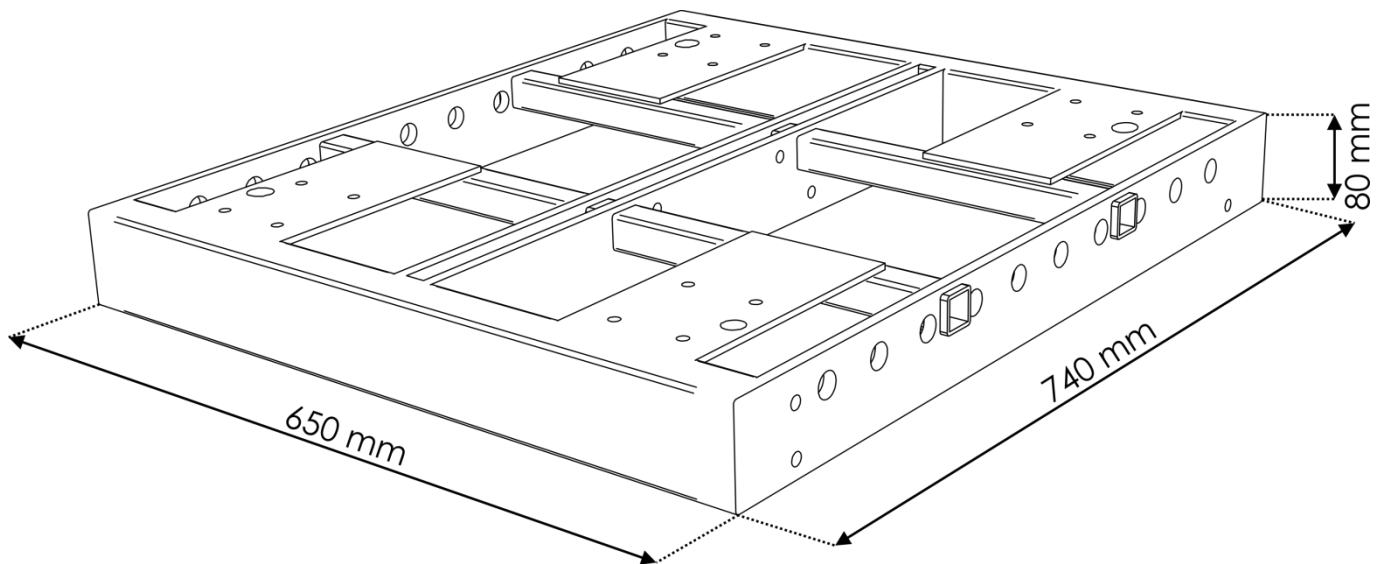
**Do not attempt the installation yourself!  
Always have the inspections carried out by an authorized dealer!**

## Maintenance

The Odin FB-01 Flybar requires almost no maintenance. However, you should keep the unit clean. Wipe the unit with a damp cloth. Do not immerse in liquid. Do not use alcohol or solvents.

## Product Specifications

Model:	Odin FB-01 Flybar
SWL:	350 kg
Directive:	BGV C1:1998
Material:	Steel
Dimensions:	740 x 650 x 80 mm (LxWxH)
Weight:	34 kg



Design and product specifications are subject to change without prior notice.



Website: <http://www.odin-audiosystems.com/>  
Email: [service@highlite.nl](mailto:service@highlite.nl)









---

# Odin

AUDIOSYSTEMS BY DAP

©2016 ODIN