

ENGLISH

Odin PM-01 Polemount Adapter V1

Ordercode: D3912

Table of contents

Warning	2
Safety Instructions	2
Operating Determinations.....	3
Rigging	3
Return Procedure	4
Claims	4
Description of the device	5
Overview	5
Installation	6
Set Up and Operation	6
Small Array Configuration.....	6
Maintenance	7
Product Specifications	7
Dimensions	8
Notes	9

Warning



**For your own safety, please read this user manual carefully
before your initial start-up!**

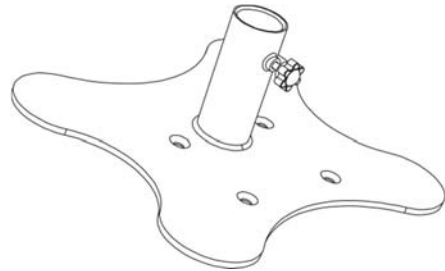


Unpacking Instructions

Immediately upon receiving this product, carefully unpack the carton and check the contents to ensure that all parts are present, and have been received in good condition. Notify the dealer immediately and retain packing material for inspection if any parts appear damaged from shipping or the carton itself shows signs of mishandling. Save the carton and all packing materials. In the event that a fixture must be returned to the factory, it is important that the fixture be returned in the original factory box and packing.

Your shipment includes:

- Odin PM-01 Polemount Adapter
- User manual



Safety Instructions

Every person involved with the installation, operation and maintenance of this system has to:

- be qualified
- follow the instructions of this manual

Before use, please make sure that there is no damage caused by transportation.

Should there be any, consult your dealer and do not use the system. To maintain perfect condition and to ensure a safe operation, it is absolutely necessary for the user to follow the safety instructions and warning notes written in this manual.

Please consider that damages caused by manual modifications to the system are not subject to warranty.

This system contains no user-serviceable parts. Refer servicing to qualified technicians only.

IMPORTANT!

The manufacturer will not accept liability for any resulting damages caused by the non-observance of this manual or any unauthorized modification to the system.

- Never remove warning or informative labels from the unit.
- Never use or continue to work with a damaged or defective pole mount adapter.
- Do not install the system over areas of public access.
- Carefully inspect the pole mount adapter before use.
- Do not shake the device. Avoid brute force when installing or operating the device.
- Always pay attention to local regulations, with respect to occupational health, safety and general rules for safe working.
- Always wear protective helmets and footwear.
- Always check the national standards and regulations of the country where pole mount adapter is used.
- All pole mount adapters should be visually inspected before use. In the event of any damage, the pole mount adapter should be taken out of service and returned to an approved DAP Audio dealer for inspection.
- Avoid contact with water or other liquids.

- Only operate the device after having familiarized with its functions.
- Only move a load, after having made sure that the load is safely and correctly attached and that there are no persons within the immediate vicinity of the hoist and/or the load.
- Never attach other loads to the array system.
- Never climb the system during or after the installation.
- Never expose the system to extra loads (for example wind or snow).
- Suspending loads should be done with extreme caution.
- Avoid flames and do not put close to flammable liquids or gases.
- If device was dropped or struck, discontinue the use of the device. Have a qualified engineer inspect for safety before operating.
- If your DAP Audio device fails to work properly, discontinue the use immediately. Pack the unit securely (preferably in the original packing material), and return it to your DAP Audio dealer for service.
- For adult use only. The device must be installed beyond the reach of children.
- The user is responsible for correct positioning and operating of the pole mount adapter. The manufacturer will not accept liability for damages caused by the misuse or incorrect installation of this device.
- Applications that are not described in this manual, are not allowed.
- Installation, repairs and servicing must be carried out by a qualified technician.
- WARRANTY: Till one year after date of purchase.

Operating Determinations

- If this device is operated in any other way than the one described in this manual, the product may suffer damages and the warranty becomes void.
- Any other operation may lead to serious damage and/or severe injuries.

You endanger your own safety and the safety of others!

Rigging

Please follow the European and national guidelines concerning rigging, trussing and all other safety issues.

Do not attempt the installation yourself!

Always have the inspections carried out by an authorized dealer!



Return Procedure



Returned merchandise must be sent prepaid and in the original packing, call tags will not be issued. Package must be clearly labeled with a Return Authorization Number (RMA number). Products returned without an RMA number will be refused. Highlite will not accept the returned goods or any responsibility. Call Highlite 0031-455667723 or mail aftersales@highlite.nl and request an RMA prior to shipping the fixture. Be prepared to provide the model number, serial number and a brief description of the cause for the return. Be sure to properly pack fixture, any shipping damage resulting from inadequate packaging is the customer's responsibility. Highlite reserves the right to use its own discretion to repair or replace product(s). As a suggestion, proper UPS packing or double-boxing is always a safe method to use.

Note: If you are given an RMA number, please include the following information on a piece of paper inside the box:

- 01) Your name
- 02) Your address
- 03) Your phone number
- 04) A brief description of the symptoms

Claims

The client has the obligation to check the delivered goods immediately upon delivery for any shortcomings and/or visible defects, or perform this check after our announcement that the goods are at their disposal. Damage incurred in shipping is the responsibility of the shipper; therefore the damage must be reported to the carrier upon receipt of merchandise.

It is the customer's responsibility to notify and submit claims with the shipper in the event that a fixture is damaged due to shipping. Transportation damage has to be reported to us within one day after receipt of the delivery.

Any return shipment has to be made post-paid at all times. Return shipments must be accompanied with a letter defining the reason for return shipment. Non-prepaid return shipments will be refused, unless otherwise agreed in writing.

Complaints against us must be made known in writing or by fax within 10 working days after receipt of the invoice. After this period complaints will not be handled anymore.

Complaints will only then be considered if the client has so far complied with all parts of the agreement, regardless of the agreement of which the obligation is resulting.

Description of the device

Features

By means of the Odin PM-01 Polemount Adapter, you can mount the Distance Tube (**D8611**) to the Odin T-8A speaker, while building a small array configuration.

- Material: Steel
- Dimensions: 290 x 240 x 110 mm (LxWxH)
- Weight: 2,2 kg

Optional accessories:

[D3900](#) – ODIN T-8A Line Array Satellite

[D3901](#) – ODIN S-18A Line Array Sub

[D8611](#) – Distance Tube M20

Overview

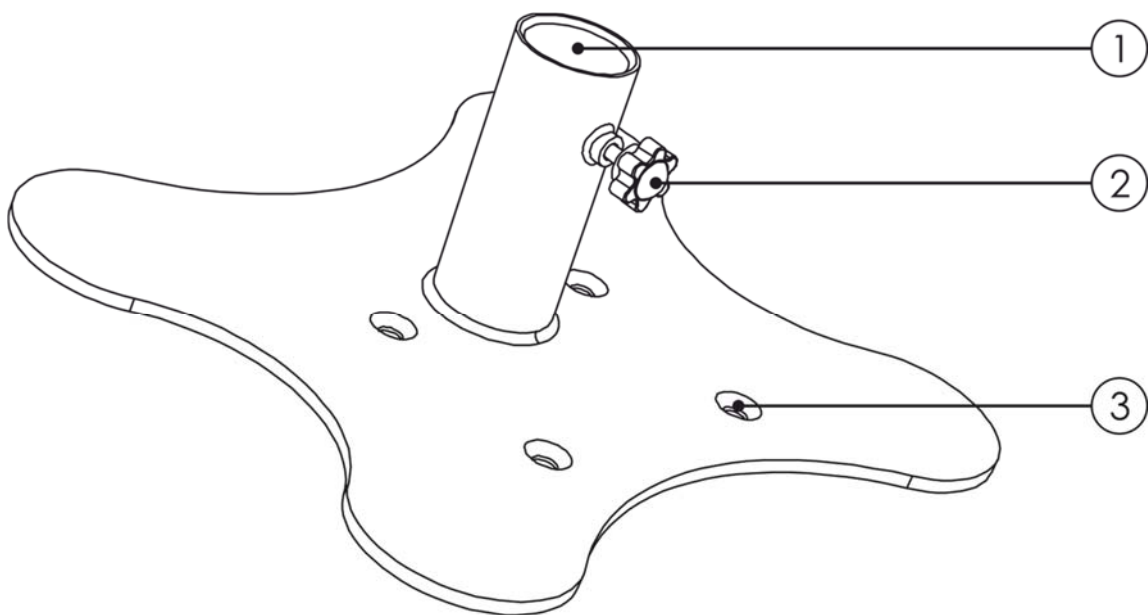


Fig. 01

- ① **Pole mount (ø 35 mm)**
Insert a pole.
- ② **Mounting screw**
Turn the screw to mount a pole to the PM-01.
- ③ **Rigging screw holes (M8)**
Use those screw holes to fit the PM-01 to the Odin T-8A speaker by means of the dedicated screws.

Installation

Remove all packing materials from the Odin PM-01 Polemount Adapter. Check if all foam and plastic padding is removed.

Damages caused by non-observance are not subject to warranty.

Set Up and Operation

Follow the directions below, as they pertain to your preferred operation mode.



CAUTION

While building a small array configuration, it is not allowed to stack more than 2 Odin T-8A speakers! Do not exceed this amount!



Small Array Configuration

01) Mount the PM-01 to your Odin T-8A speaker, by means of the dedicated screws (fig. 02 and fig. 03).

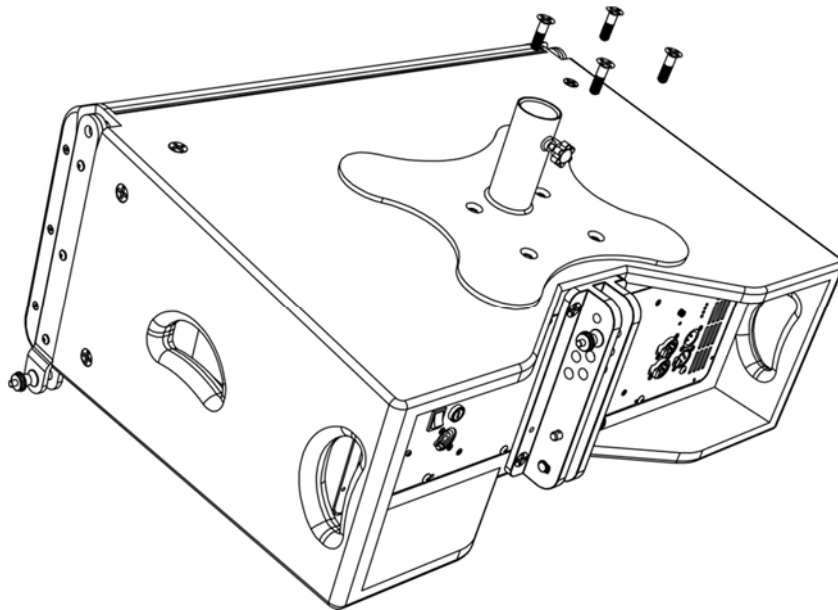


Fig. 02

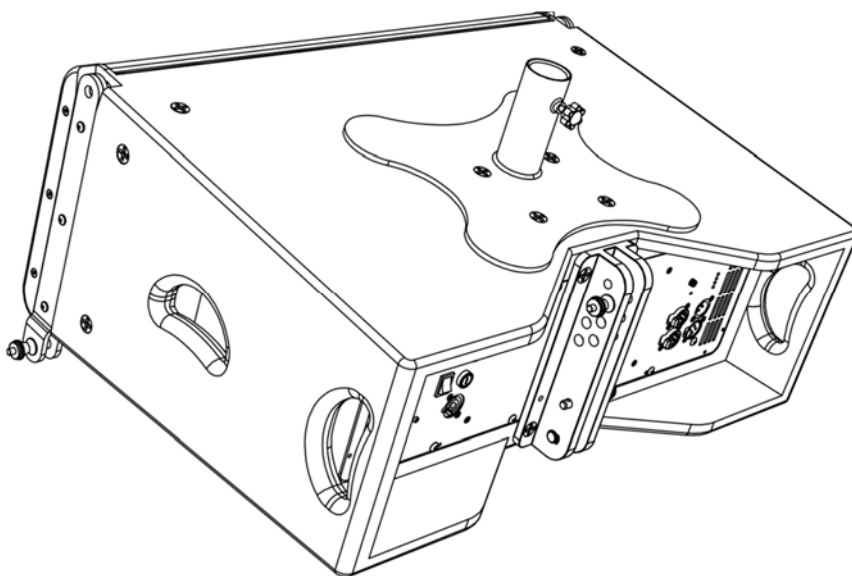


Fig. 03

02) You can now mount the Distance Tube (**D8611**) to the Odin T-8A and S-18A speakers (fig. 04).

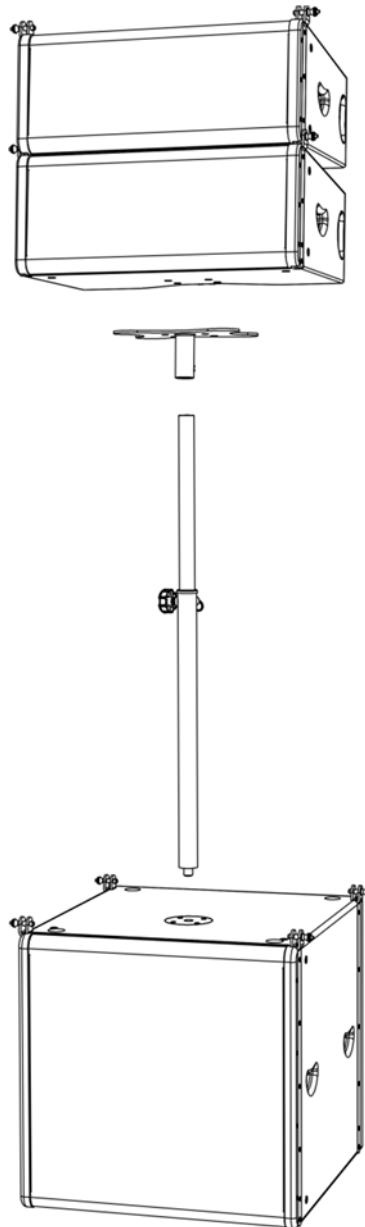


Fig. 04

Maintenance

The Odin PM-01 Polemount Adapter requires almost no maintenance. However, you should keep the unit clean. Wipe the device with a damp cloth. Do not immerse in liquid. Do not use alcohol or solvents.

Product Specifications

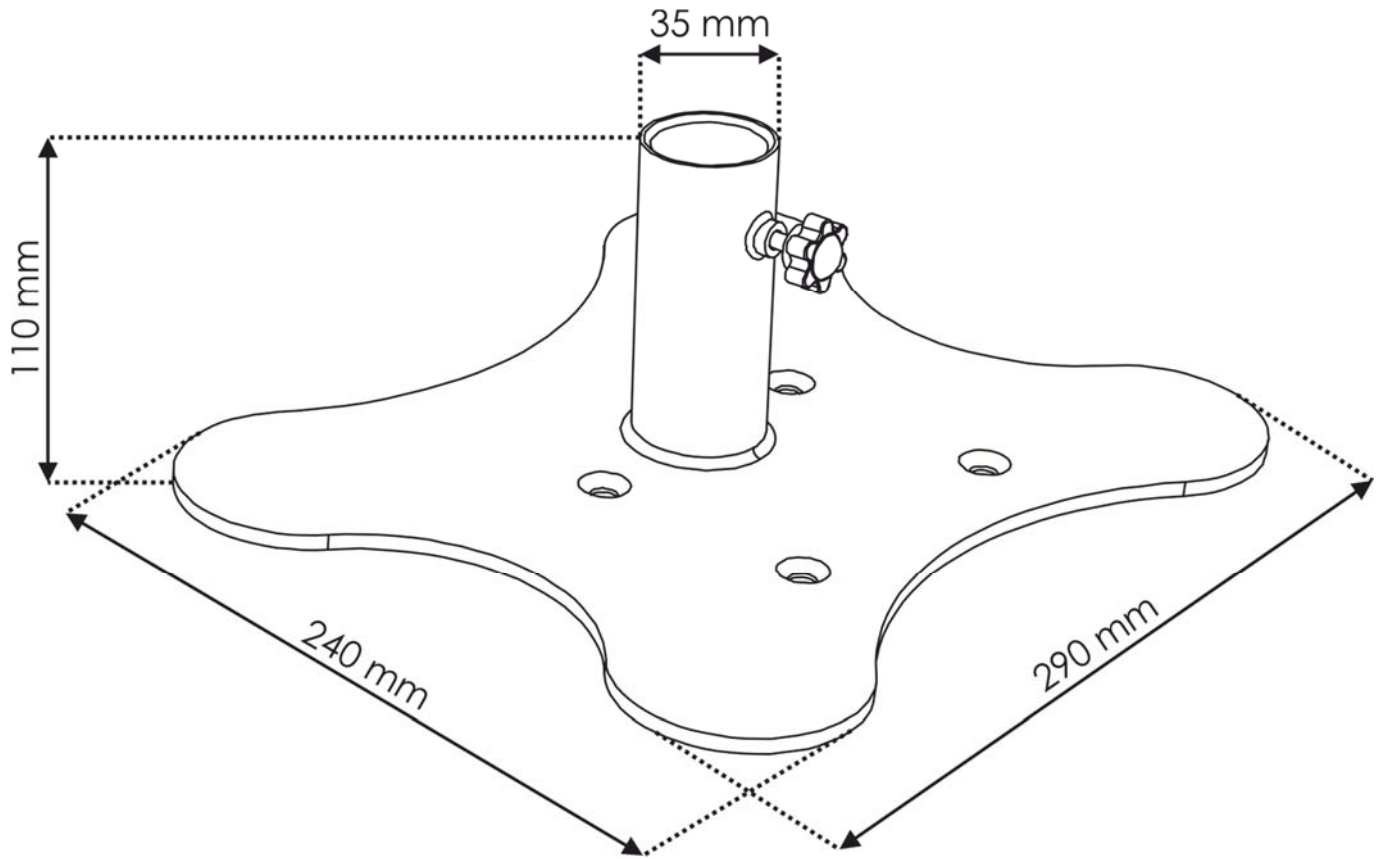
Model:	Odin PM-01 Polemount Adapter
Material:	Steel
Dimensions:	290 x 240 x 110 mm (LxWxH)
Weight:	2,2 kg

Design and product specifications are subject to change without prior notice.



Website: <http://www.odin-audiosystems.com/>
Email: service@highlite.nl

Dimensions



Odin

AUDIOSYSTEMS BY DAP

©2017 ODIN